

Rainmaker Select

Overhead shower 580 3jet EcoSmart 9 l/min

Surfaces: **White/Chrome** Article Number: **24011400**



Description

product features

- consists of: overhead shower, wall connector
- shower head size: 586 x 258 mm
- spray type: Rain, RainFlow, MonoRain
- material spray disc: plexiglas
- easy cleanable spray disc in glass optics
- maximum flow rate at 3 bar: 9,5 l/min
- flow rate Rain spray (at 3 bar): 9 l/min
- flow rate RainFlow spray (at 3 bar): 9,5 l/min
- flow rate Mono spray (at 3 bar): 9 l/min
- minimum flow pressure: 2 bar
- the 3 spray zones must be controlled via 3 valves or a diverter valve with 3 outlets
- spray disc removable for cleaning
- installation: wall-mounted - for installation on iBox
- connection dimension: DN15
- not included: basic set

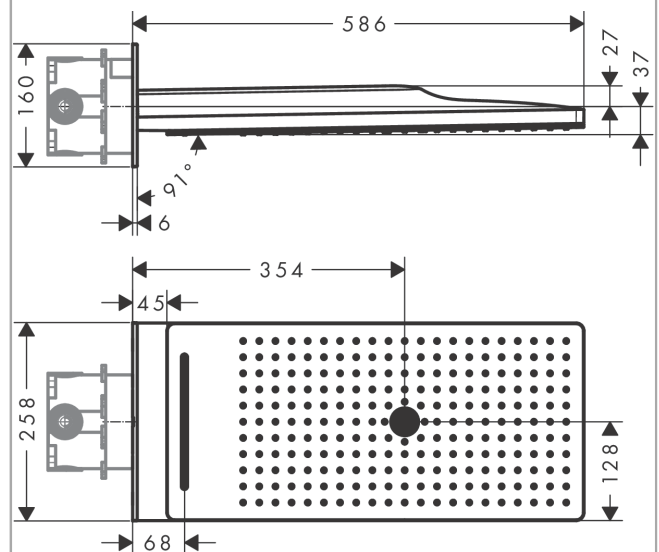
Technology



Product image



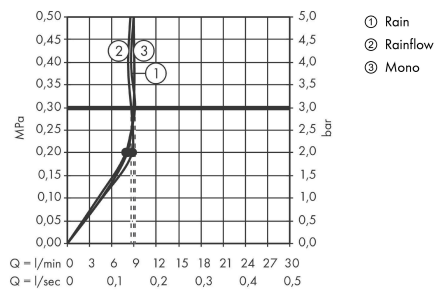
Scale drawing



Rainmaker Select
Overhead shower 580 3jet EcoSmart 9 l/min
 Surfaces: **White/Chrome** Article Number: **24011400**



Flowchart

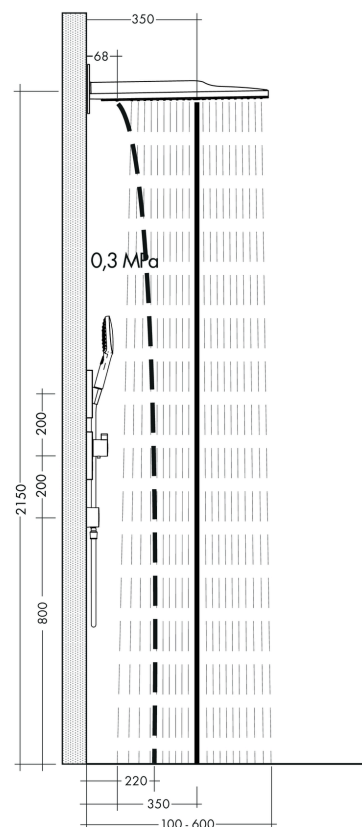
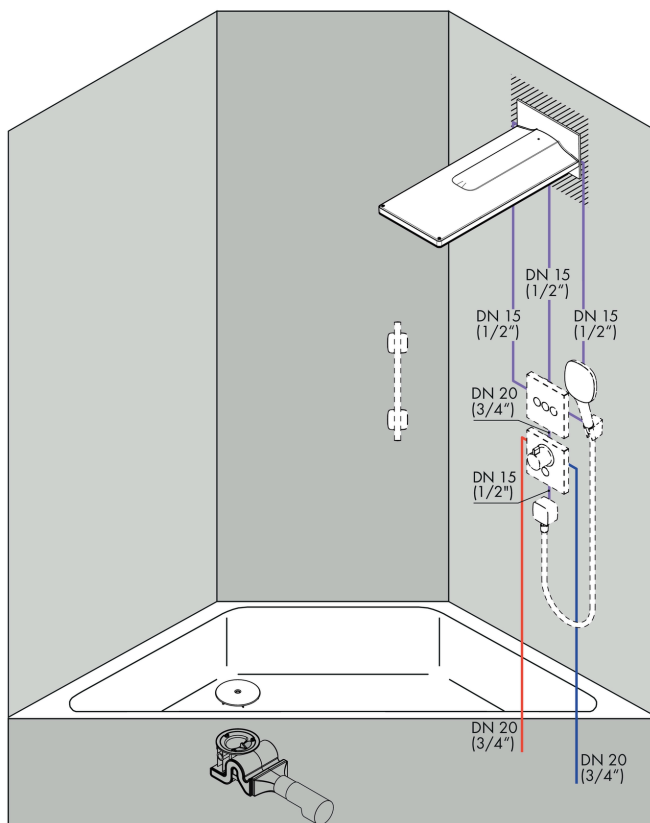
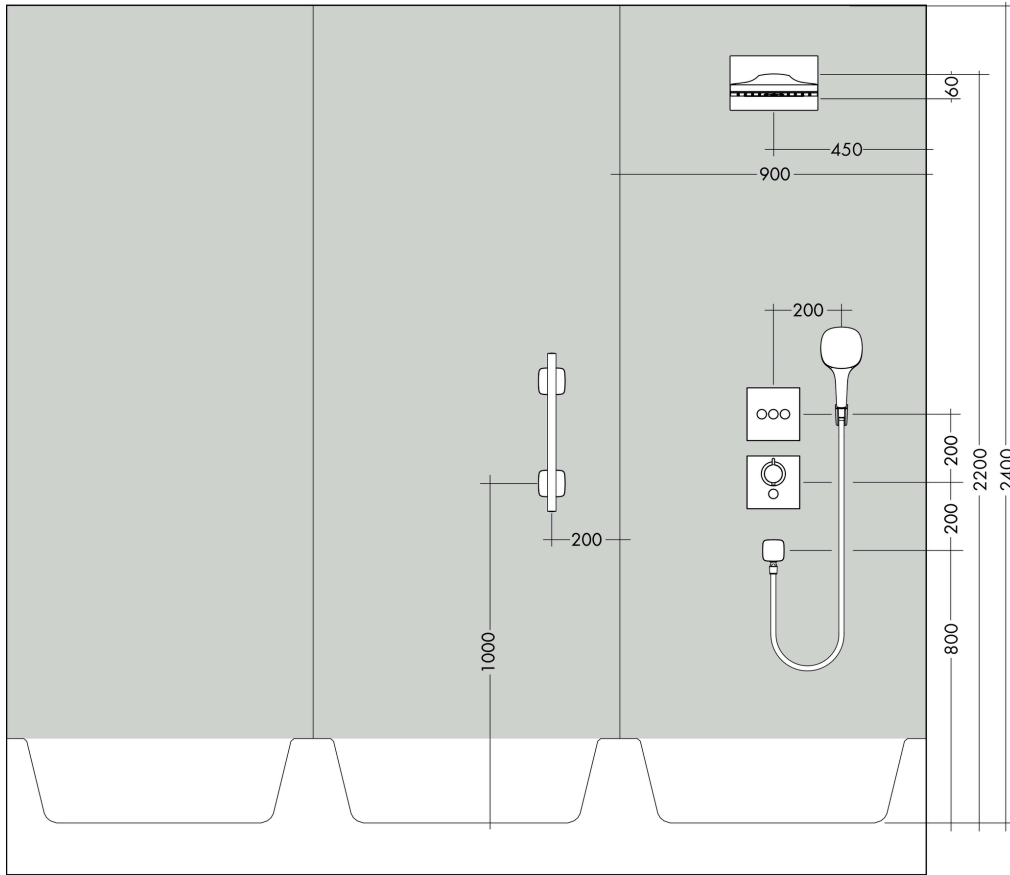


The consumption was measured in combination with the appropriate fittings (thermostat/mixer/in-wall valve) to reflect actual application in practice.

Rainmaker Select
Overhead shower 580 3jet EcoSmart 9 l/min
 Surfaces: **White/Chrome** Article Number: **24011400**



Installation examples

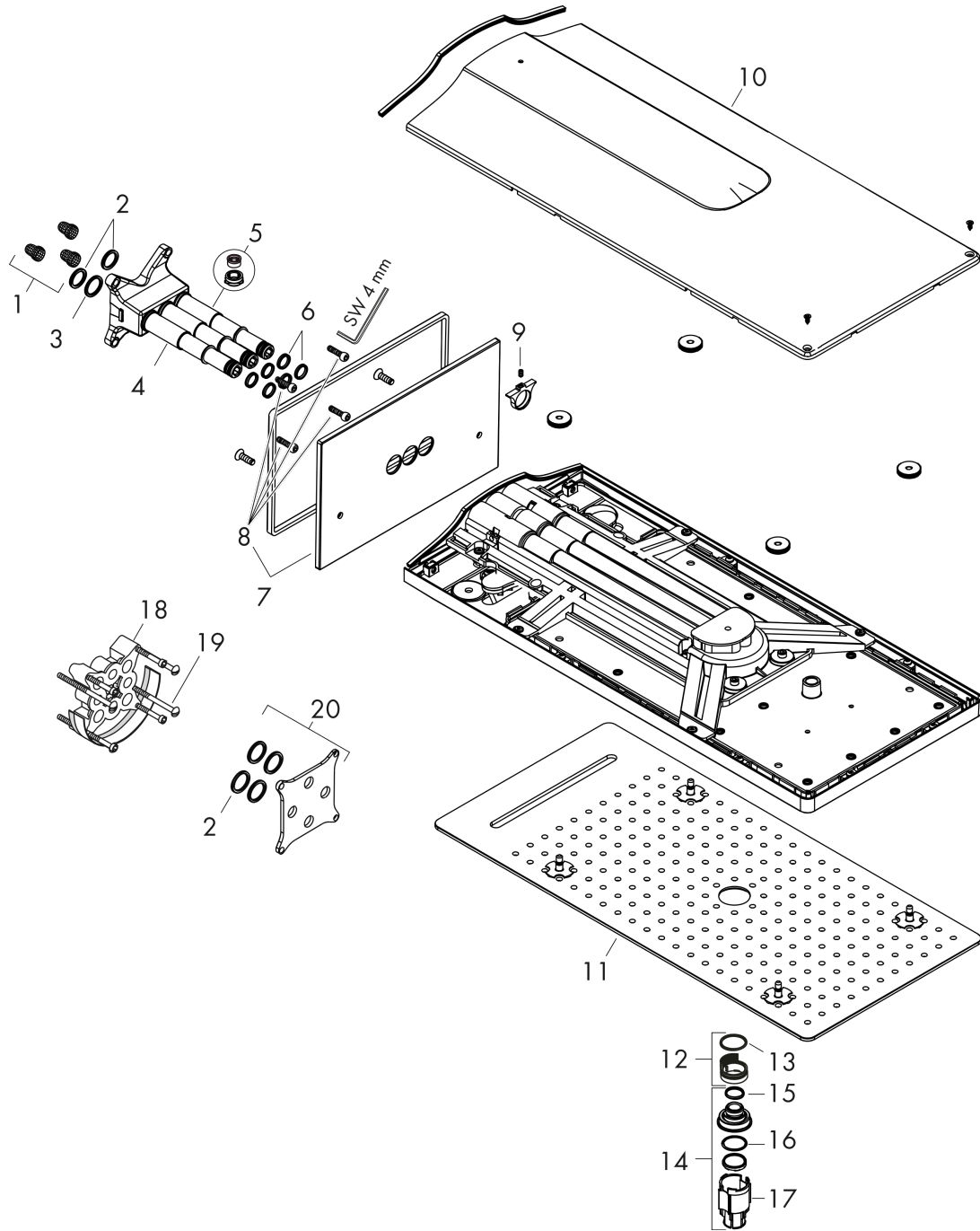


Rainmaker Select
Overhead shower 580 3jet EcoSmart 9 l/min
 Surfaces: **White/Chrome** Article Number: **24011400**



Exploded Drawing

Year of production: >07/15



Rainmaker Select
Overhead shower 580 3jet EcoSmart 9 l/min
 Surfaces: **White/Chrome** Article Number: **24011400**



Spare part list

Year of production: >07/15

Pos.	Description	Article Number	Price	PU
1	filter	98513000	-	1
2	O-ring 16x2	98133000	-	1
3	O-ring 18x2	98181000	-	1
4	installation unit cpl.	95170000	-	1
5	flow limiter (9 l/min)	95659000	-	1
6	O-ring 12x2	98214000	-	1
7	escutcheon	92747000	-	1
8	set of screws	96525000	-	1
9	hollow set screw M4x8	97669000	-	1
10	cover	92746000	-	1
11	spray body	92748000	-	1
12	filter	92683000	-	1
13	O-ring 24x2	98388000	-	1
14	aerator laminar	92684000	-	1
15	O-ring 15x2	98163000	-	1
16	O-ring 21x2	98205000	-	1
17	special tool	92686000	-	1
18	extension 25 mm	13595000	-	1
19	set of fixing screws	97747000	-	1
20	compensation set 1°	95521000	-	1
a	concealed item	01800180	-	1